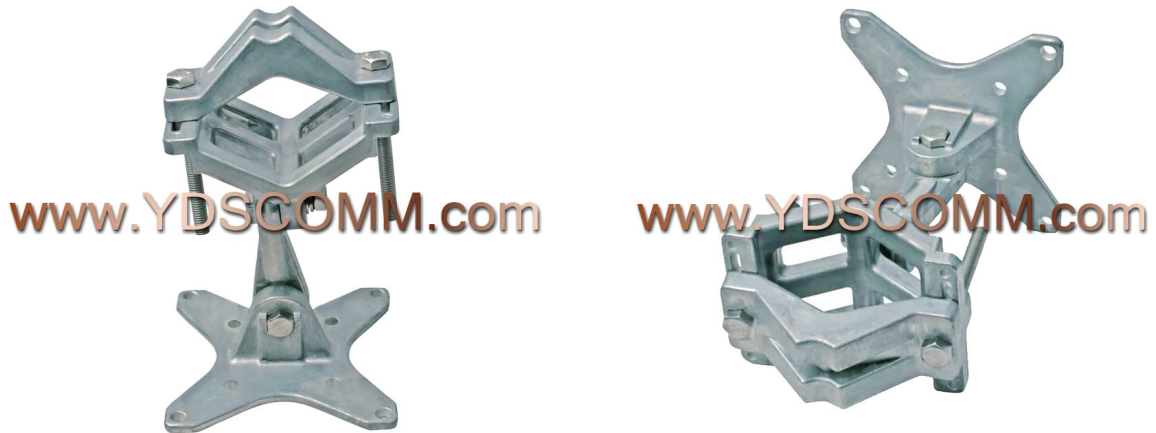
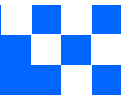
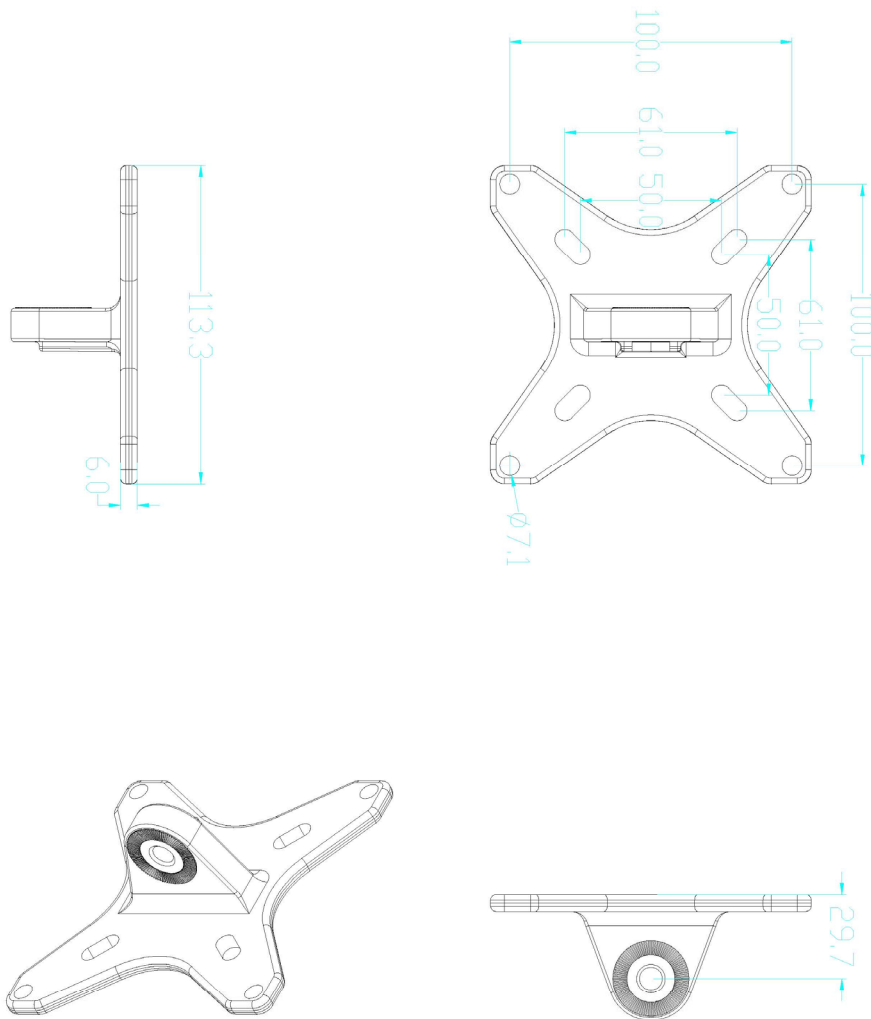
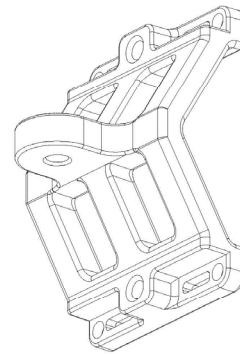
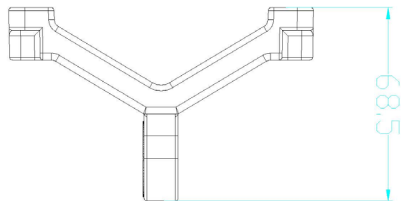
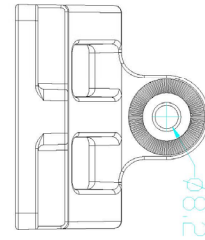
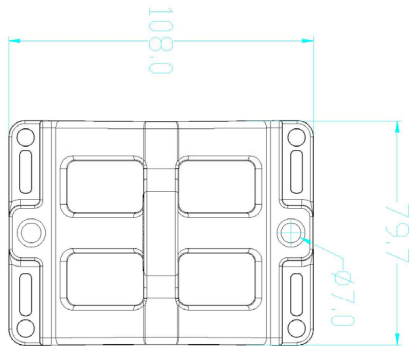
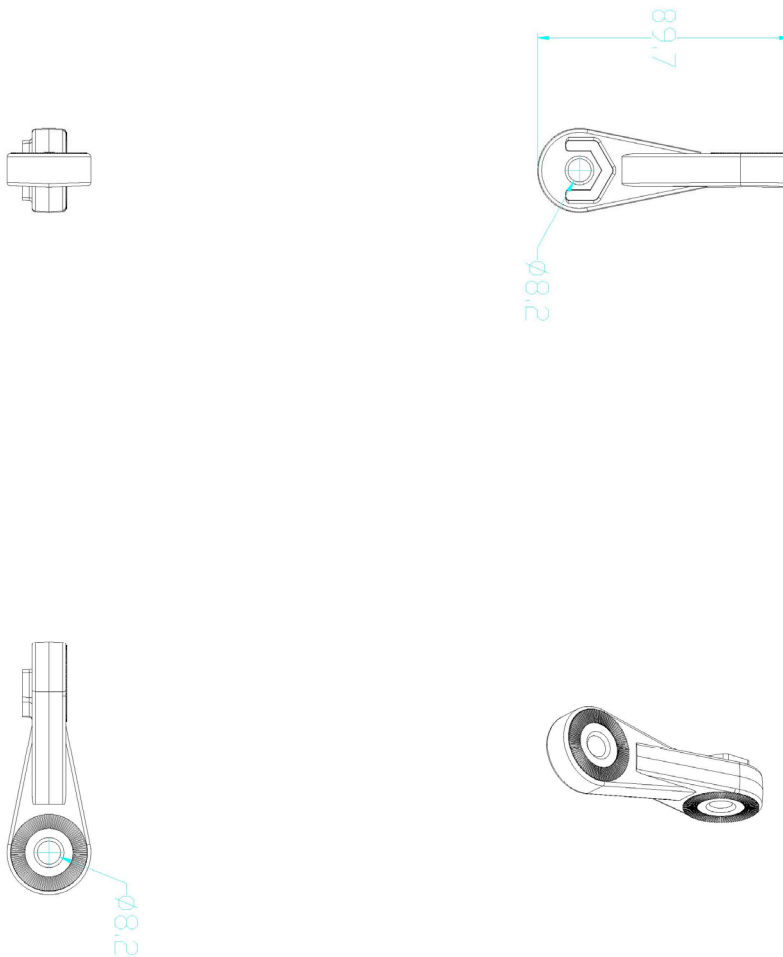
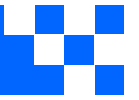
**YDS-ST-B-RF-01 Heavy duty bracket**

Antenna Model No.	YDS-ST-B-RF-01
Mounting holes distance	50-100mm
Material	Die-casting aluminum
Finish	Powder coat or custom
Color	White or custom

**YDS-ST-B-RF-01 Heavy duty bracket**

YDS-ST-B-RF-01 Heavy duty bracket

YDS-ST-B-RF-01 Heavy duty bracket

**YDS-ST-B-RF-01 Heavy duty bracket**